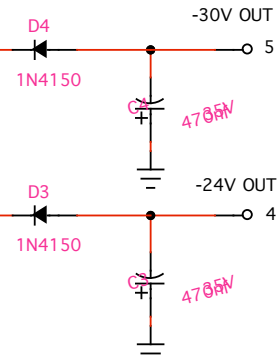
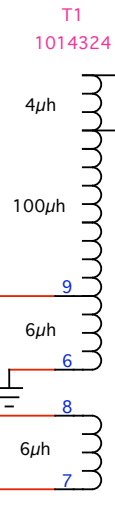
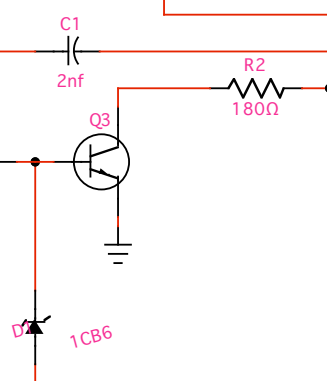
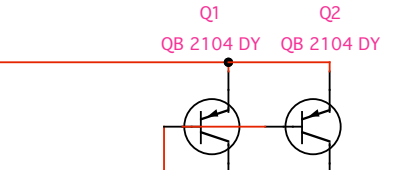
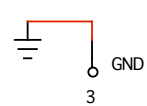
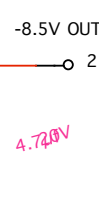


Electronic Goldmine DC-DC Converter G5097
VFD power supply

+5V IN
1



0.5VAC @ 8mA



NOTE: Q2 OMITTED ON SOME BOARDS

Schematic by John Rehwinkel KG4L
webmaster@vitriol.com

drawn with DesignWorks Lite
<http://www.capilano.com/>

8 APR 2007